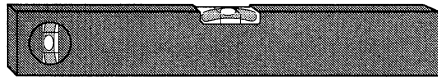


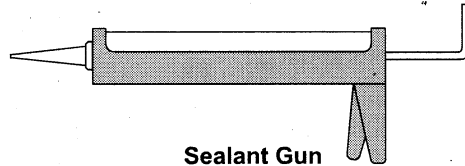
ASSEMBLY GUIDE

Wetroom Return Panel

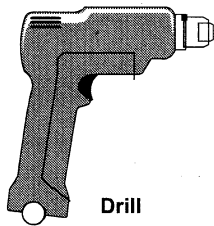
Tool Required



Spirit level



Sealant Gun



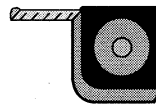
Drill



6mm Masonry Drill



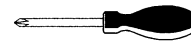
3mm Drill bit



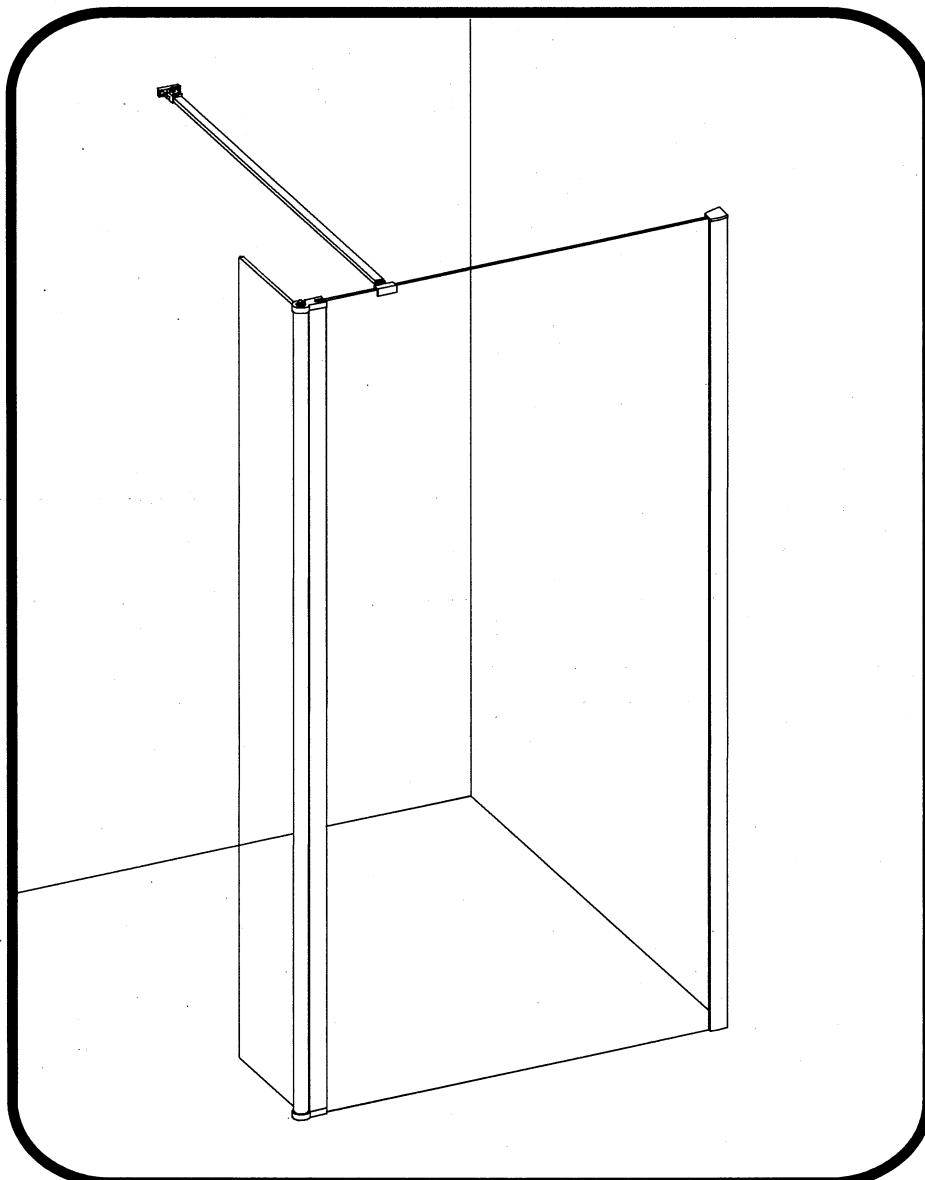
Tape Measure



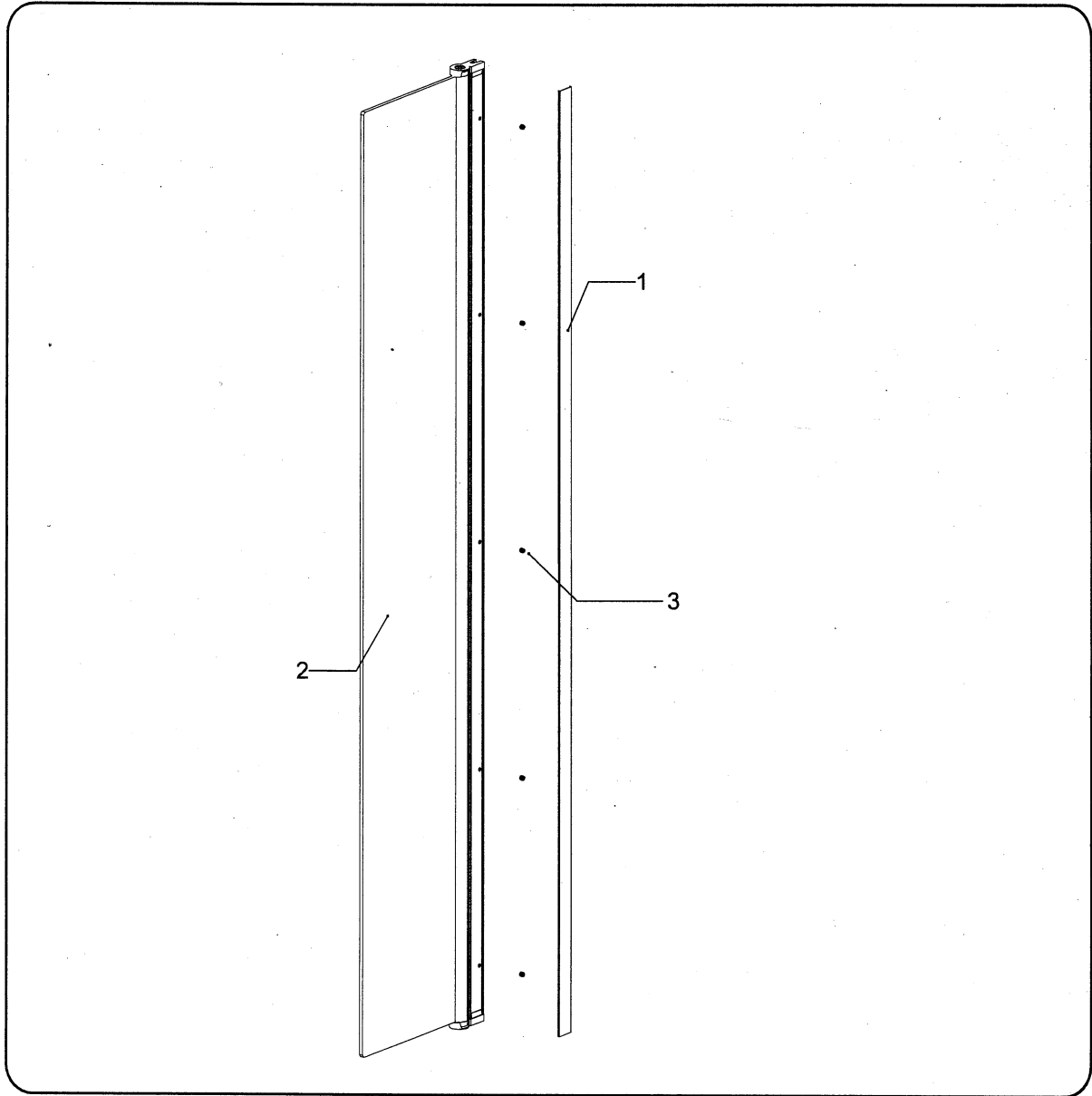
Pencil



PH2 Screwdriver



COMPONENTS AND BOX CONTENTS

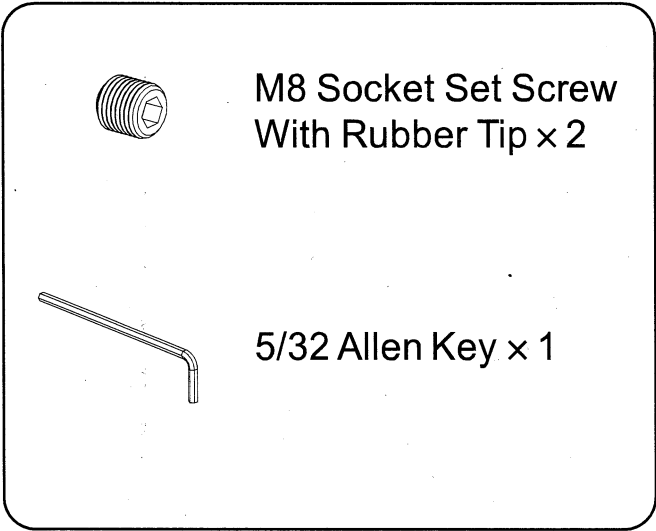


Box Contents

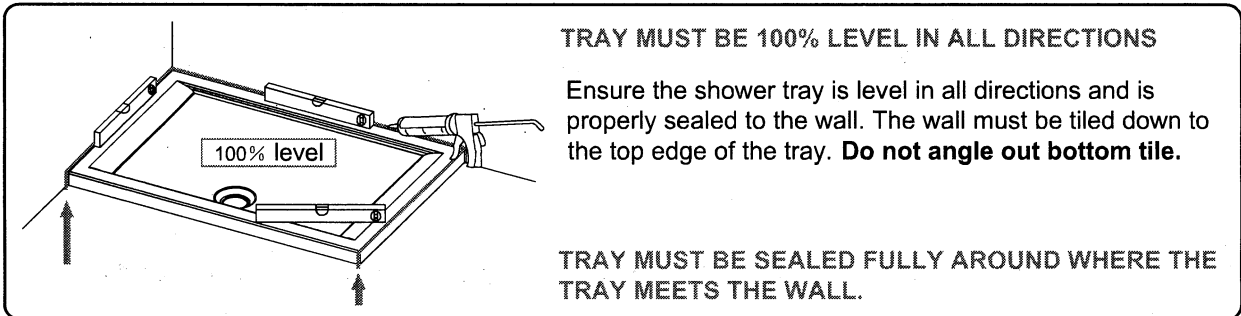
SN	Code	Descript on	Qty
1	ID2PF009	Cover Strip	1
2	ID2GS045	Return Panel	1
3	APTL012	Grub Screw M8 10	5

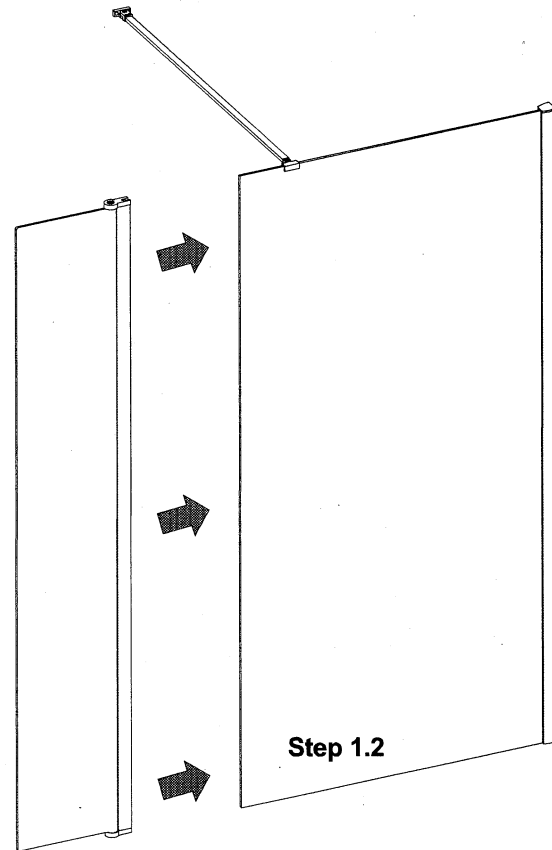
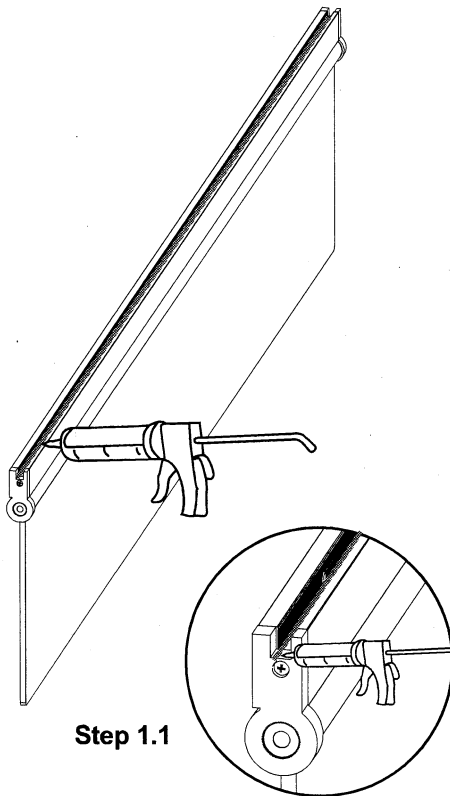
Note: Further part details for fixing kit available on page 2

FIXING KIT



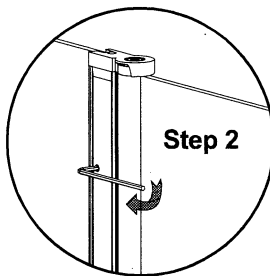
PROCEDURE





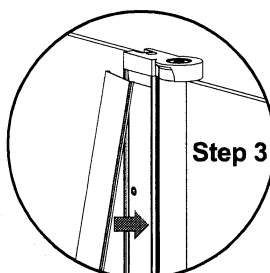
Step 1.

- 1.1 Put enough silicone into the groove of the upright profile as shown.
1.2 Push the inline panel to the Wetroom glass panel.



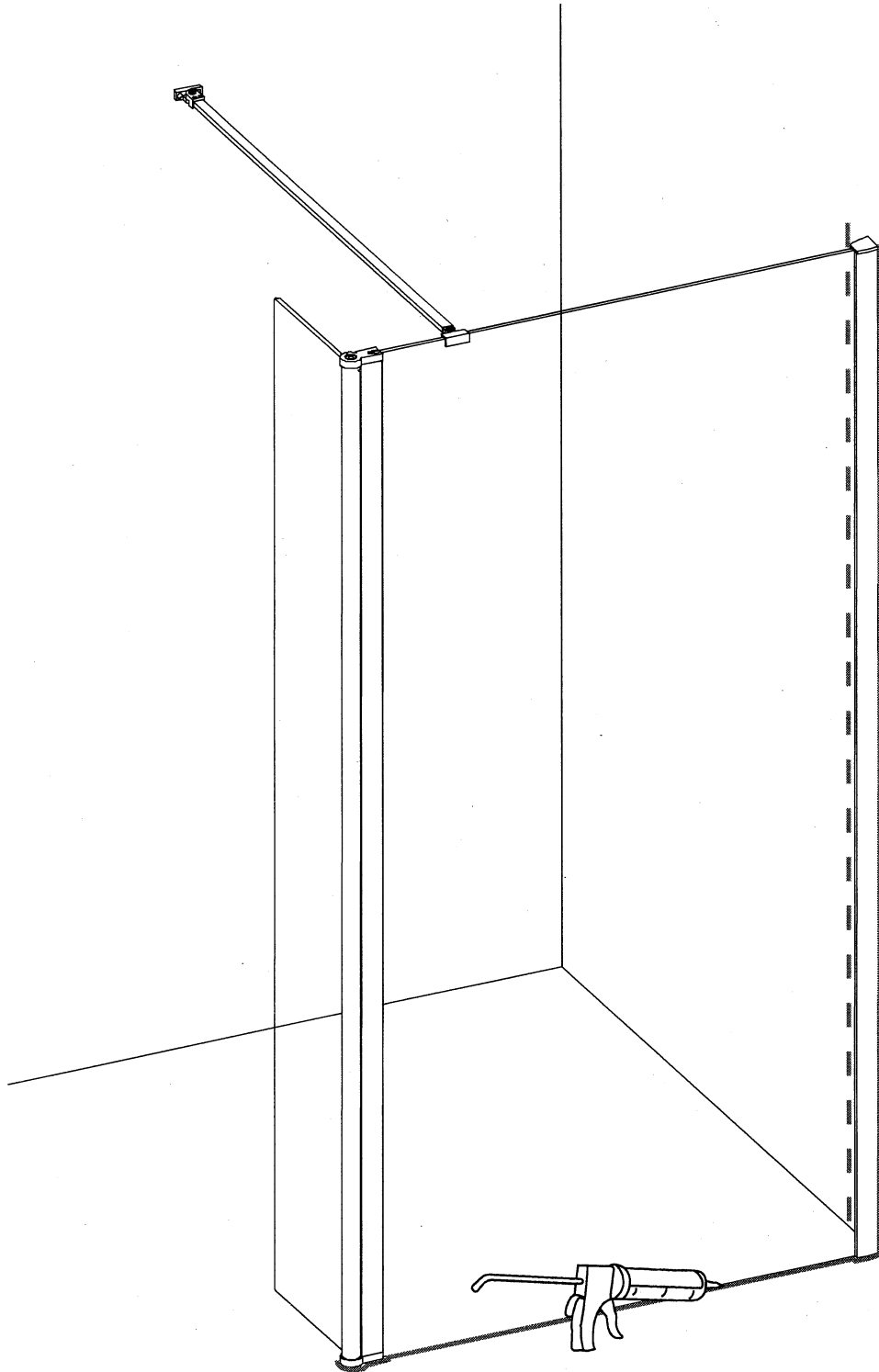
Step 2.

Tighten the M8 socket set screws (No.3) using the 5/32 alley key.

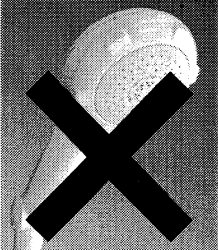


Step 3.

Once you are happy that the installation is correct, push the cover strip profile (No.1) into the upright profile.



24 HRS



**DO NOT USE THE
ENCLOSURE FOR
24 HOURS AFTER
SEALING**

Applying Silicone Sealant

Sealing Inside

Seal from the top of the wall profile to the bottom on the **INSIDE** between the wall profile and the wall.

IMPORTANT: Do not apply sealant on inside of the tray.

Sealing Outside

Seal from the top of the wall profile to the bottom between the wall profile and tiles on both sides. Also seal along the bottom where the frame meets the tray. Seal the joints between the bottom profile and any upright profiles.